

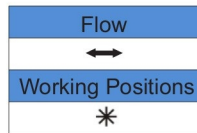
MODEL : GBV-201 Class 150 Cast Steel [ASME Globe Valve]



Connection : Flange ANSI 150

DESCRIPTION

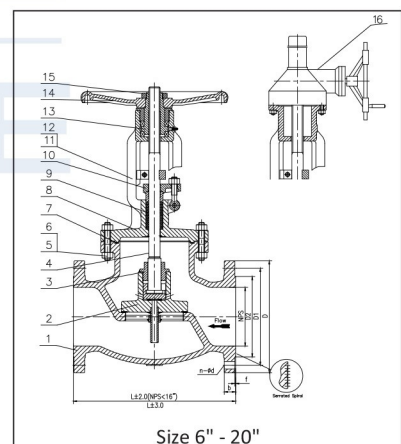
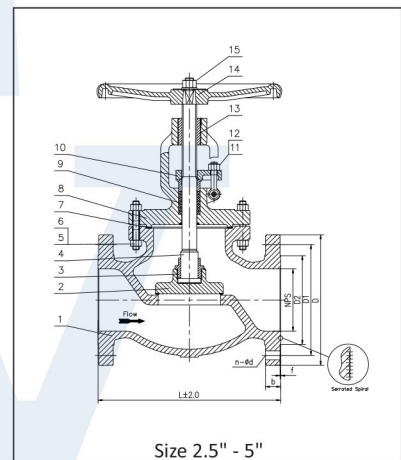
Design	: BS 1873
Face to face	: ASME B16.10
Flanges	: ASME B16.5 BW ENDS TO ASME B16.25
Testing	: API 598 API 6D BS 6755
Rating P-T	: ASME B16.34
Suitable Medium	: W.O.G



MATERIAL LIST

No.	Parts	Material
1	*Body	ASTM A216 WCB+%13Cr
2	Disc	ASTM A105+%13Cr
3	*Disc Cover	CARBON STEEL
4	*Stem	SS%13Cr
5	Bonnet Bolt	ASTM A193 B7
6	Bonnet Nut	ASTM A194 2H
7	Gasket	GRAPHITE+STEEL
8	Bonnet	ASTM A216 WCB
9	Stem Packing	GRAPHITE
10	Gland Flange	ASTM A216 WCB
11	Gland Bolt	ASTM A193 B7
12	Gland Nut	ASTM A194 2H
13	Stem Nut	COPPER ALLOY
14	Hand wheel	DUCTILE IRON
15	Nut	STEEL
16	**Gear + HW	ASSEMBLY

Optional : *SS304/SS316
** Size 6" to 20" with gear operated



DIMENSIONS (mm)

NPS	DN	D	D1	D2	b-f	L	Weight (Kg)
2"	50	150	120.7	92	16-2	203	19
2 1/2"	65	180	139.7	105	18-2	216	28
3"	80	190	152.4	127	19-2	241	33
4"	100	230	190.5	157	24-2	292	52
5"	125	255	215.9	186	24-2	356	70
6"	150	280	241.3	216	26-2	406	93
8"	200	345	298.5	270	29-2	495	170
10"	250	405	362	234	31-2	622	265
12"	300	485	431.8	281	32-2	698	370
14"	350	535	476.3	413	35-2	787	460
16"	400	595	539.8	470	37-2	914	700
18"	450	635	577.9	533	40-2	978	850
20"	500	700	635	584	43-2	978	1230

Specification is subject to change without prior notice